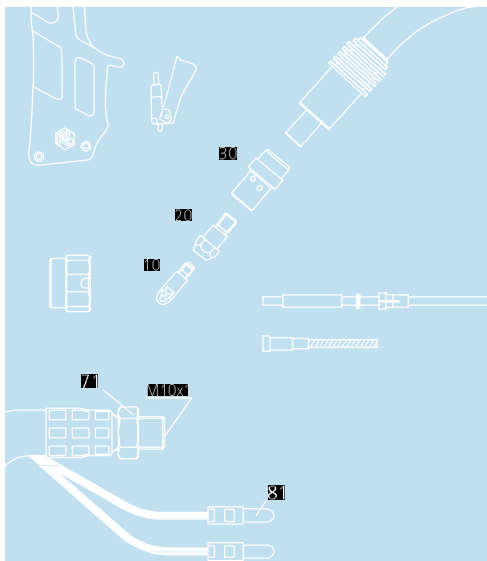




Classic TBI 360 (DR)



Aircooled

DR: changeable swivel neck

TBi-Flex rubber coaxial cable

Technical data

MIG/MAG (GMAW) Semi-automatic welding torch TBI 360/360 DR

Rating at 60% ED
(10 min. cycle)

- Mixed gas: 335 A
- CO₂: 350 A

Cooling method Aircooling

Wire diameter 1.0 - 1.2 mm

Gas flow 12 l/min

Technical specification according to IEC 60974-7

Weight with 1.5m cabel 1.80 kg (TBI 360 DR: 2.10 kg)

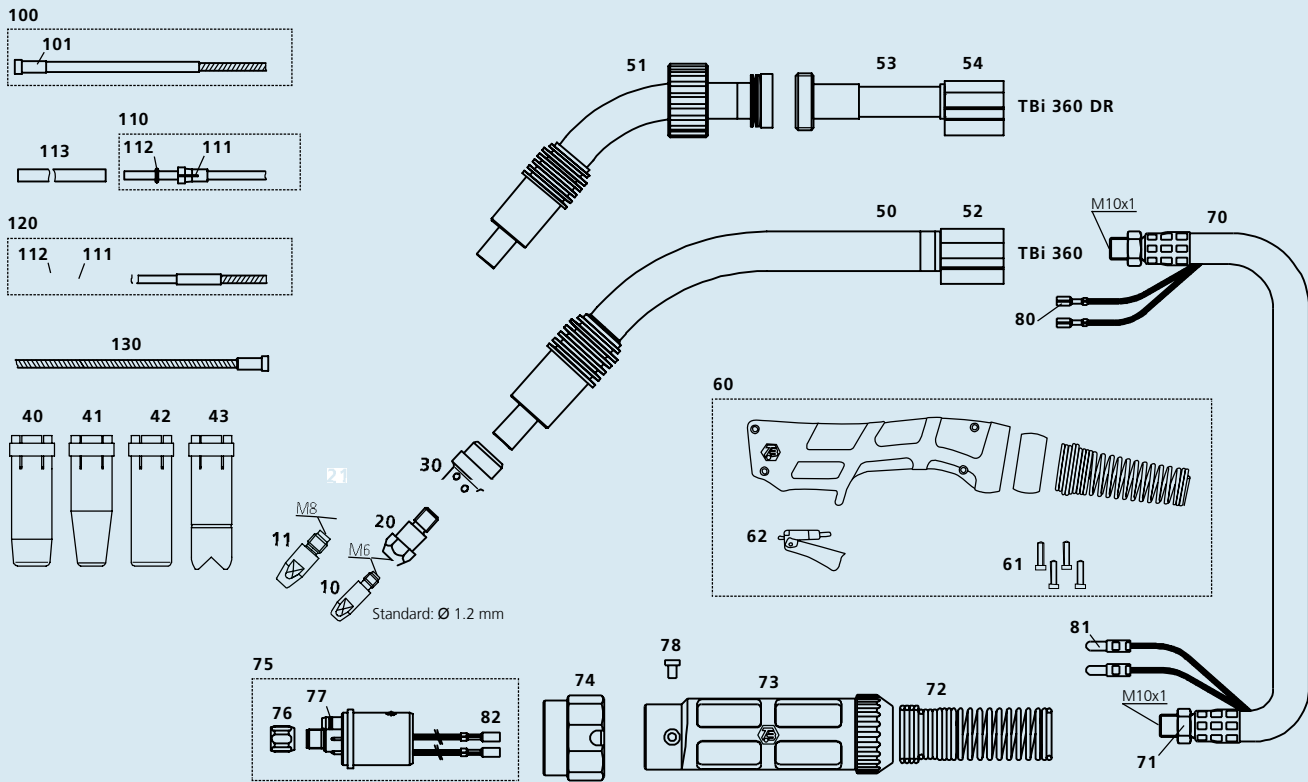
Connection Euro-Central connector
Other connectors (e.g. Cloos®, ESAB®) available upon request.

Torch rating will be reduced when using pulsed-arc power sources.
Special torch necks and custom lengths of the coaxial cable are available upon request.

Ordering Information

TBI 360	ESG, 50° bent	114P3413_0*
TBI 360 DR	ESG, 45° bent	114P3413_D*

* At the blank, please insert 3, 4 or 5 for a torch length of 3, 4 or 5m.



Pos.	Description	Part. No.	Pos.	Description	Part. No.
Contact tips					
10	Contact tip M6x28, Ecu	340P_1069*	53	Support for DR necks	600P101045
10	Contact tip M6x28, CuCrZr	340P_3069*	54	PVC body	600P002017
10	Contact tip M6x28 Alu, Ecu	341P_1069*	60	Handle blue, aircooled, cpl. kit	380P220400
11	Contact tip M8x30, Ecu	340P_1262*	61	Cross recessed screw M 3.5x14	100P008413
11	Contact tip M8x30, CuCrZr	340P_3262*	62	Trigger, red, 2 poles	385P021016
11	Contact tip M8x30 Alu, Ecu	341P_1262*	70	TBi-Flex coaxial cable 50 sqmm	360P5011_0*
Tip holders					
20	Tip holder M6 / L=28 mm	342P006014	71	Hex nut M10x1	101P002005
20	Tip holder M6 / L=32 mm	342P006114	72	Spring support small 16-50 sqmm	600P102099
21	Tip holder M8 / L=28 mm	342P008014	73	Cable support cpl. (2 pieces)	701P001045
21	Tip holder M8 / L=34 mm	342P008114	74	Adaptor nut	701P001013
Gas diffusors					
30	Gas diffusor, white	114P002003	75	Central adaptor ESG cpl., 2 poles, moveable pins	701P001048
30	Gas diffusor, ceramic	114P002005	76	Sleeve nut M10x1	701P002005
30	Gas diffusor, black	114P002007	77	O-ring 4.0x1.0 mm (gas nipple)	365P100040
30	Gas diffusor, brown	114P002011	78	Slotted screw M4x6	100P008401
Gas nozzles					
40	Nozzle con. diam. 16.0 mm	345P012010	80	Cable lug, flat	375P000023
41	Nozzle con. diam. 12.0 mm	345P013010	81	Insulated connector, male, round	375P000004
42	Nozzle cyl. diam. 20.0 mm	345P011010	82	Insulated connector, female, round	375P000003
43	Spot weld nozzle diam. 20.0 mm	345P015010	Wire guides		
Spare parts					
50	Torch neck TBi 360, 50°	114P001001	100	Liner w/ insulation red (x.40 m) for wire 1.0-1.2	324P2045_4*
51	Torch neck TBi 360 DR (swivel), 45°	114P001015	100	Liner w/ insulation yellow (x.40 m) for wire 1.2-1.6	324P2545_4*
52	PVC body	600P002018	101	Collet for liners dia. 4.5 mm	330P025045
			110	Teflon liner red (x.50 m) for wire 1.0-1.2	326P2040_5*
			110	Teflon liner yellow (x.50 m) for wire 1.2-1.6	326P2747_5*
			111	Collet for teflon and PA liner 2.0x4.0 mm	331P020040
			111	Collet for teflon and PA liner 2.7x4.7 mm	331P027047
			112	O-ring 3.50x1.50 mm (teflon liner)	365P150035
			113	Support tube 5x4.4 mm, L=150 mm	329P544150
			120	PA-Alu wire guide (x.50 m) for wire 1.0-1.2	328P2040_A*
			130	Liner for TBi DR Torch necks	322P204005

► = Standard parts

* At the blank, please insert suitable information for torch length or wire diameter, e.g. 08 for 0.8 mm or 3 for 3 m.

© 2006 TBI Industries GmbH. All rights reserved. Subject to change without notice. Warranty only when using original TBI consumables and spare parts. Excerpts and reprints not permitted. Nr. DOKP111162, 03/2006.

TBI Industries GmbH
Ruhberg 14
D-35463 Fernwald-Steinbach
P.O. Box 67
D-35461 Fernwald-Steinbach

Tel. + 49 6404 9171-0
Fax. + 49 6404 9171-40
Internet: www.tbi-industries.com
E-mail: info@tbi-industries.com